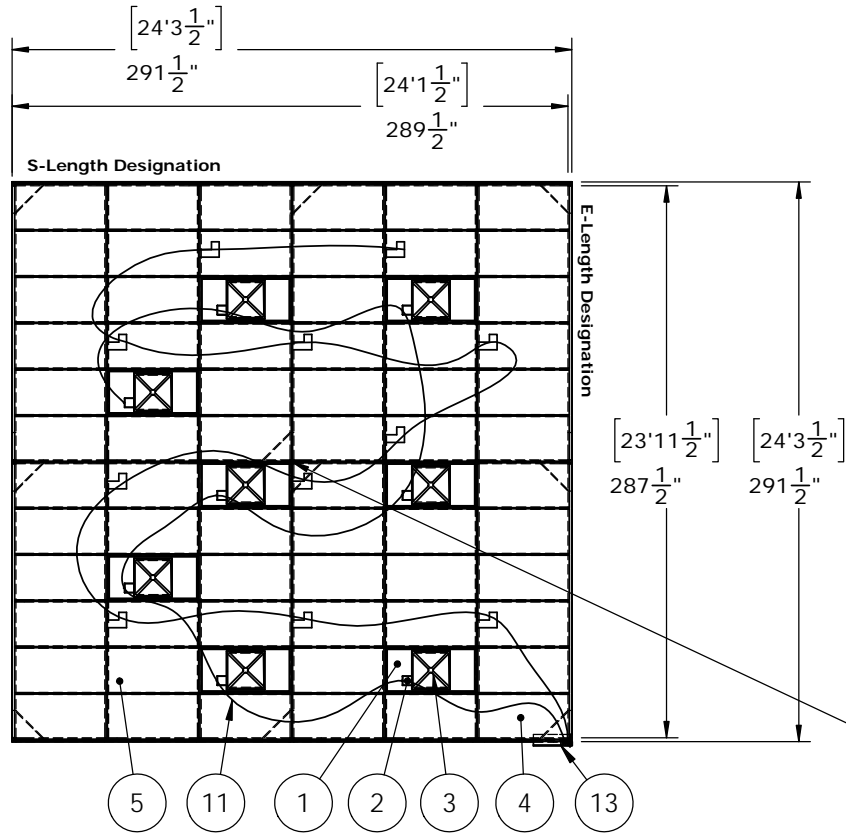


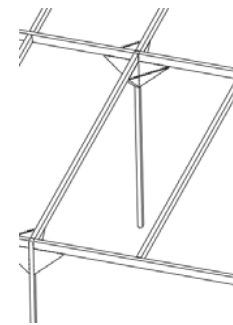
NOTES: UNLESS OTHERWISE SPECIFIED

1. DIMENSIONS ARE IN INCHES (ft).

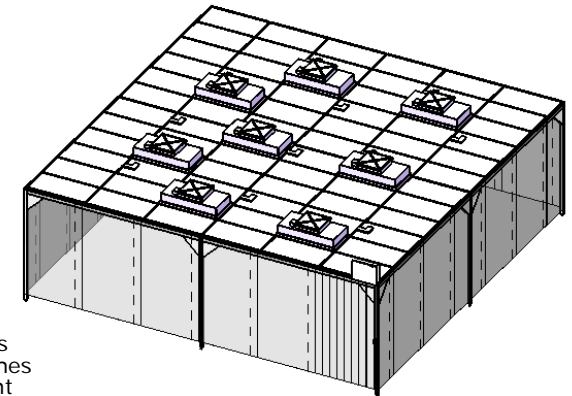


ISO Class	ISO 8	ISO 7	ISO 6	ISO 5	ISO 4
Fed Std 209E Class	100,000	10,000	1,000	100	10
Flow Thru Light	-	-	-	-	11
Number of Filters	8	15	26	36	72
Number of Lights	11	11	11	11	-

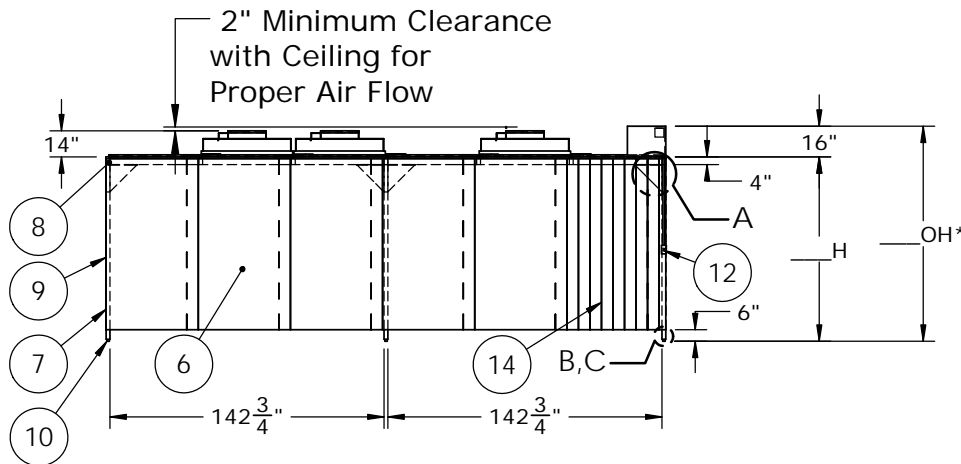
**ISO Class 8 ROOM SHOWN**



Internal Support Leg



\*When Using Flow Thru Lights Add Six (6) Inches to Overall Height



**Clean Air PRODUCTS** 8605 WYOMING AVENUE NORTH • MINNEAPOLIS, MN 55445  
 800-423-9728 • ph: 763-425-9122 • fax: 763-425-2004  
 www.cleanairproducts.com

DESCRIPTION: **Softwall Cleanroom**  
**CAP577F-WR-24x24x\_H-E12x2-S12x2**

QUOTE NO. \_\_\_\_\_

<b>DO NOT SCALE</b>	DATE DRAWN 08/30/2016	QUOTE FORM 073334	REV 2	SHEET 1 of 1
---------------------	--------------------------	----------------------	----------	-----------------

© COPYRIGHT 2010 CLEAN AIR PRODUCTS

NOTES: UNLESS OTHERWISE SPECIFIED

1. DIMENSIONS ARE IN INCHES (ft).

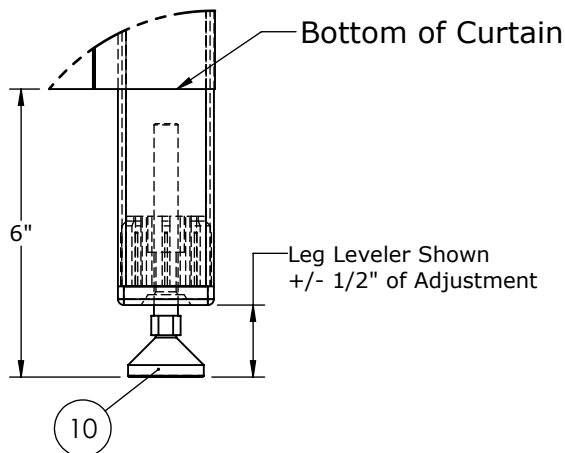
Notes:

1. Motorized Ceiling HEPA Filter
2. Electrical Junction Box
3. Prefilter
4. Blank Panel - White Vinyl Covered Gypsum Board with Sealed Edges
5. Light - LED Flat Panel
6. Flame Retardant, Clear Vinyl Curtains, Dual Lock Mounting
7. Legs - 2 in. x 2 in.. Tubular Steel with Corner Support Gusset
8. Bolt Together, 2 in. x 4 in., Tubular Steel Beams
9. White Painted Steel Frame, Powder Coated
10. Black Nylon Leg Levelers

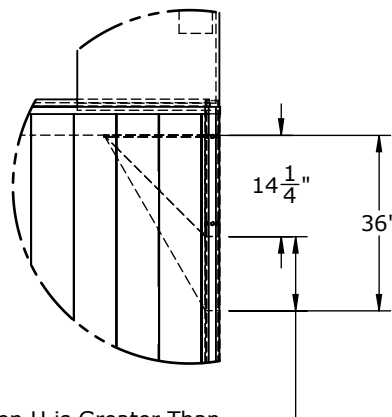
Optional

11. Modular Prefabricated Wiring, 11 ft. Cables
12. Light Switch Included with Prefab Wire Kit
13. Electrical Junction Box with Prefab Wire Kit
14. Strip Door
15. Casters with Brakes
16. Power Cord (16 FLA Max)

**Standard Leg Leveler Detail B**

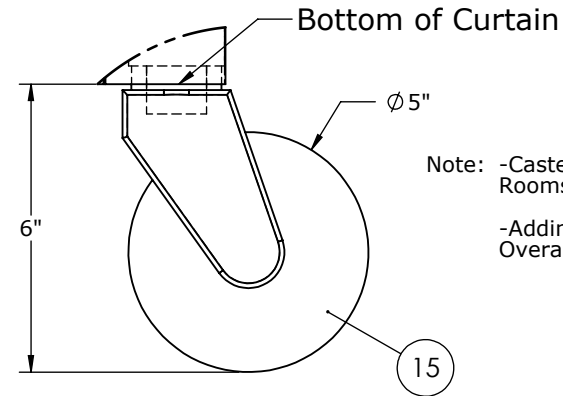


**Standard Gusset Length Detail A**



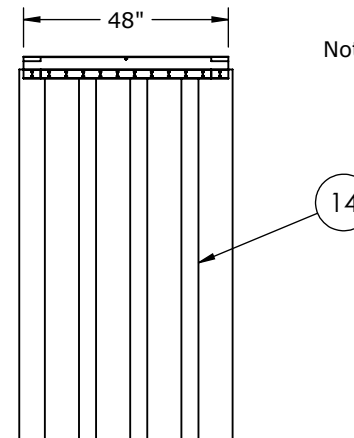
Note: When H is Greater Than 96 Inches, a Taller Gusset is Used

**Optional Caster with Brakes Detail C**



Note: -Casters Only Available on Rooms with Six Legs or Less  
-Adding Casters Will Not Effect Overall Height of Clean Room

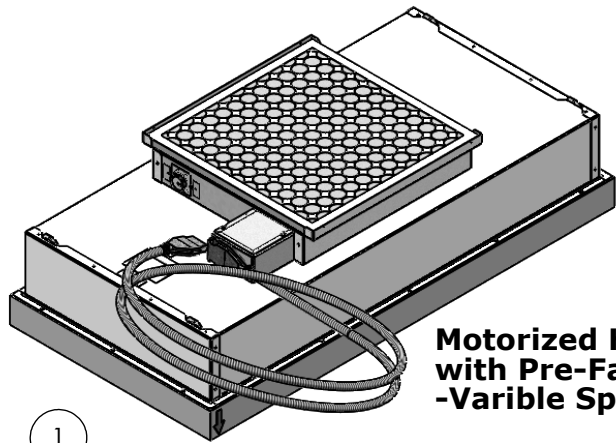
**Optional Stripdoor**



Note: -80 mil, Flame Retardant, Clear Vinyl  
-8-in. Strips with a 2-in. Overlap

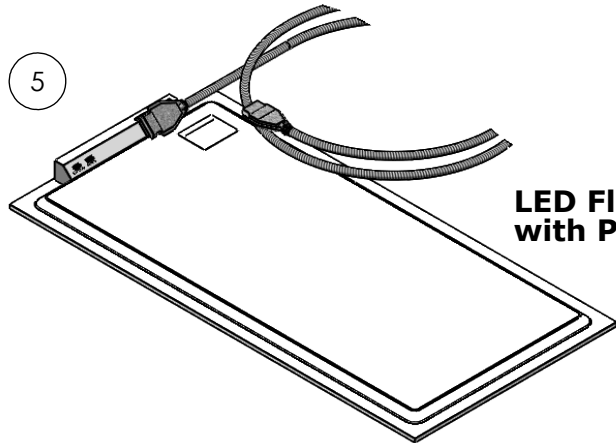
© COPYRIGHT 2010 CLEAN AIR PRODUCTS	<b>Clean Air PRODUCTS</b>		8605 WYOMING AVENUE NORTH • MINNEAPOLIS, MN 55445 800-423-9728 • ph: 763-425-9122 • fax: 763-425-2004 www.cleanairproducts.com		
	DESCRIPTION.		<b>Softwall Cleanroom CAP577F</b>		
	QUOTE NO.				
	<b>DO NOT SCALE</b>	DATE DRAWN 02/19/2021	QUOTE FORM 097687	REV 2	SHEET

## Optional Pre-Fab Wire Kit



**Motorized HEPA Filter with Pre-Fab Wire Cable -Variable Speed Control**

1



**LED Flat Panel with Pre-Fab Wire Cable**

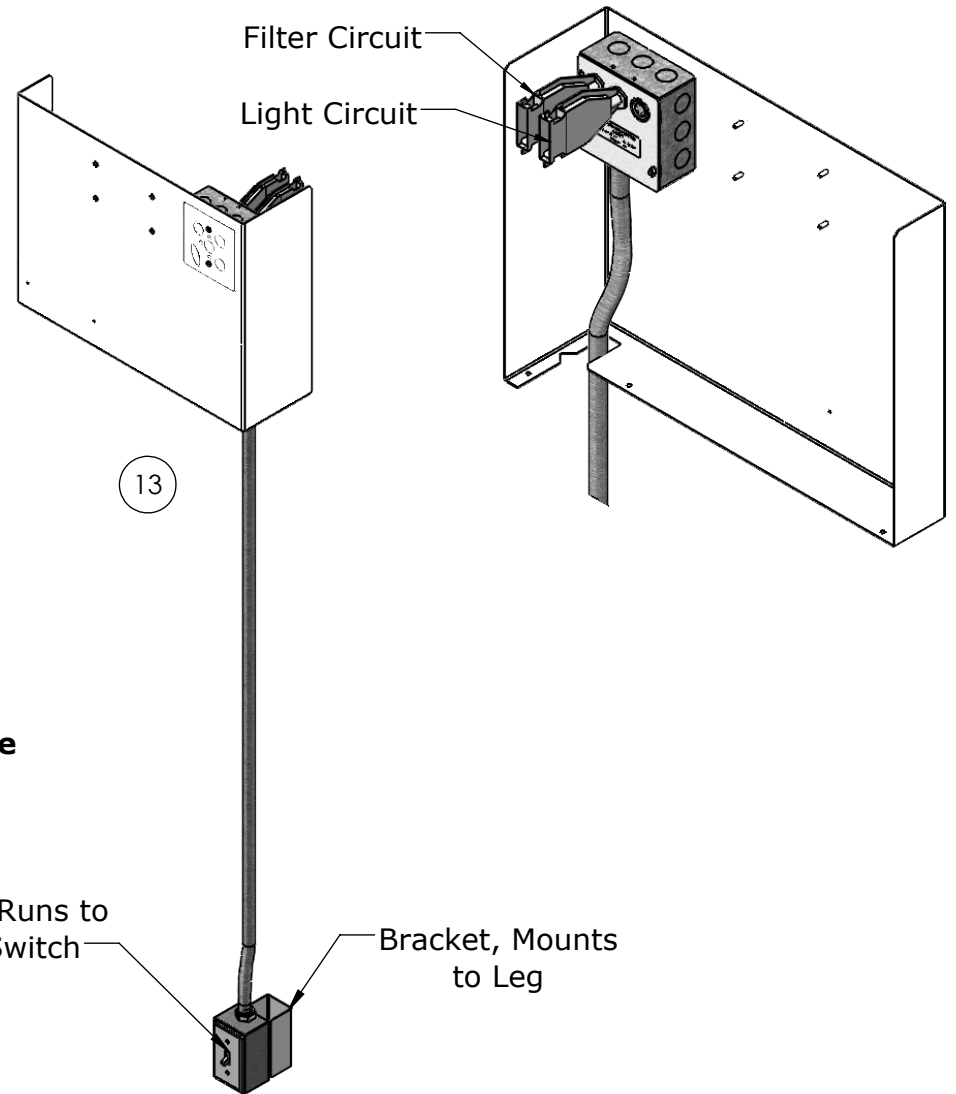
5

\* Do Not Exceed 16 FLA on a 20 Amp Circuit

FLA - Full Load Amps

**Electrical Chart - 120 Volts**

Filter/Light	Qty.	Amps Per	Total Amps
Filter Unit (Max ___ Per 20A Circuit)	X	=	
Flat Panel LED Light Fixture	X	=	
Flow Thru Light Fixture	X	=	
<b>TOTAL =</b>			



13

Conduit Runs to Light Switch

Bracket, Mounts to Leg

**Suggested Number of 20AMP Circuits**

© COPYRIGHT 2010 CLEAN AIR PRODUCTS

**Clean Air PRODUCTS**

8605 WYOMING AVENUE NORTH • MINNEAPOLIS, MN 55445  
800-423-9728 • ph: 763-425-9122 • fax: 763-425-2004  
www.cleanairproducts.com

DESCRIPTION.

**Softwall Cleanroom CAP577F**

QUOTE NO.

**DO NOT SCALE**

DATE DRAWN  
02/19/2021

QUOTE FORM  
097687

REV  
2

SHEET